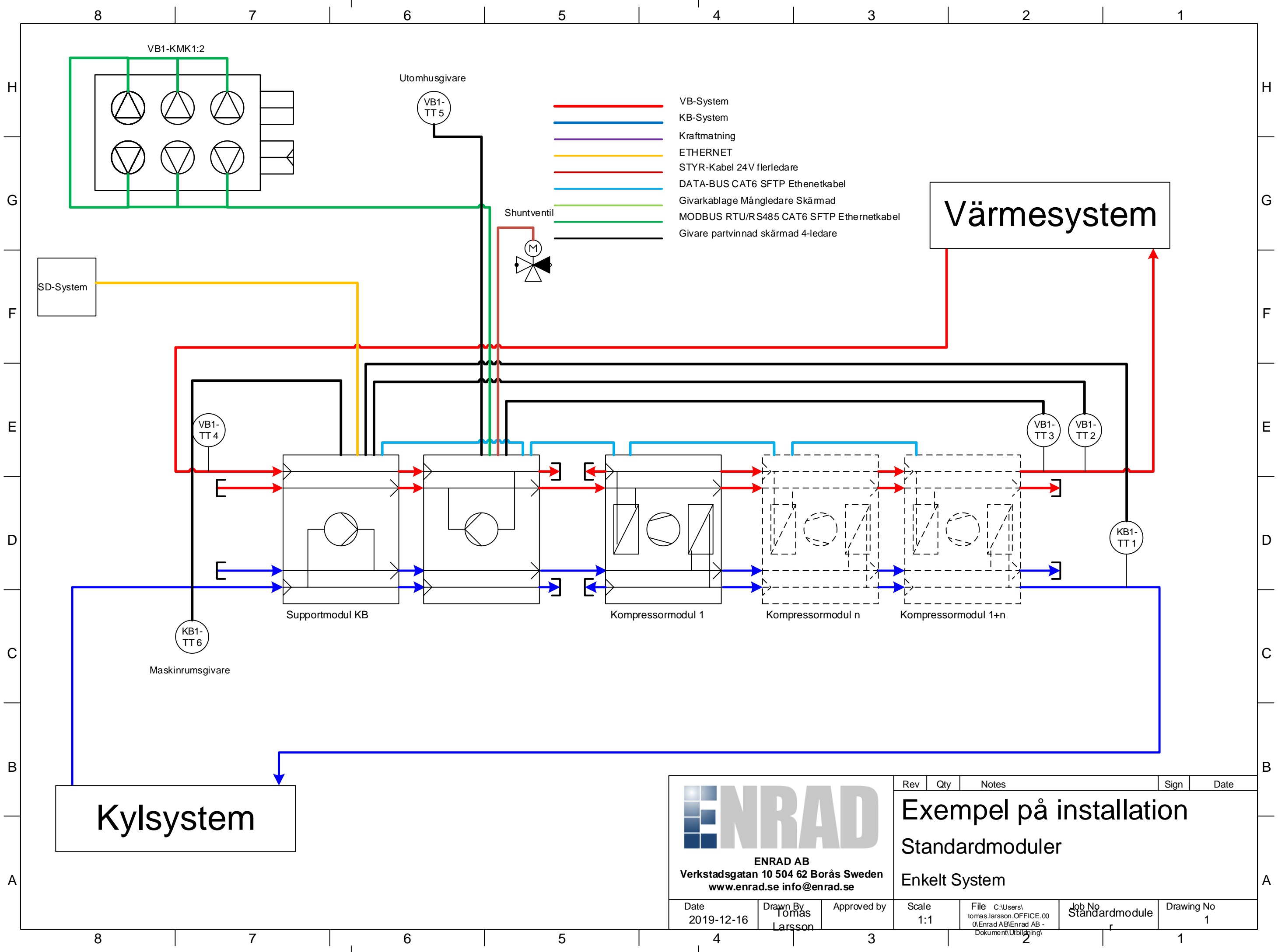
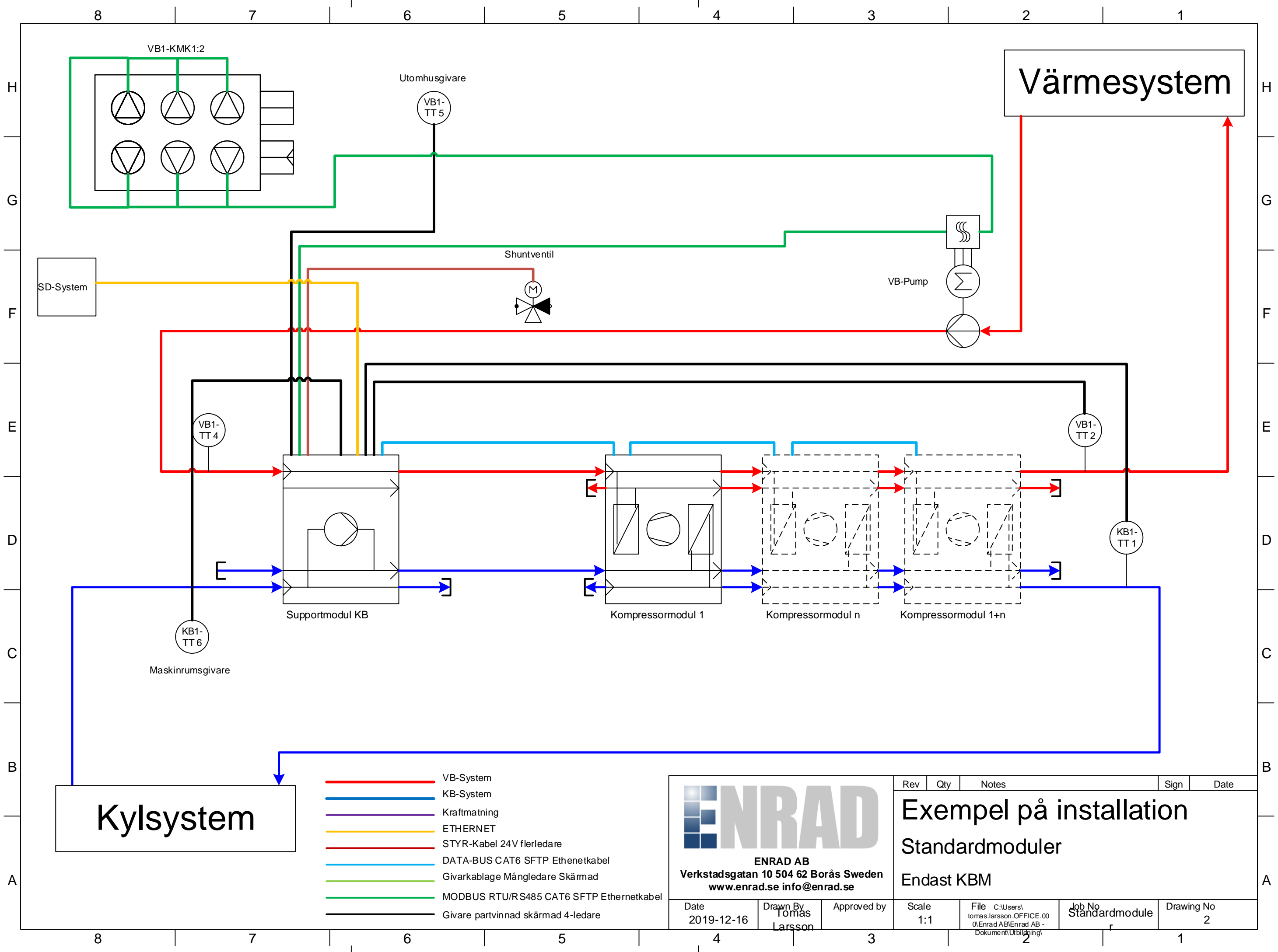


© ENRAD AB. This Drawing may not be copied or overhanded without permission from ENRAD AB

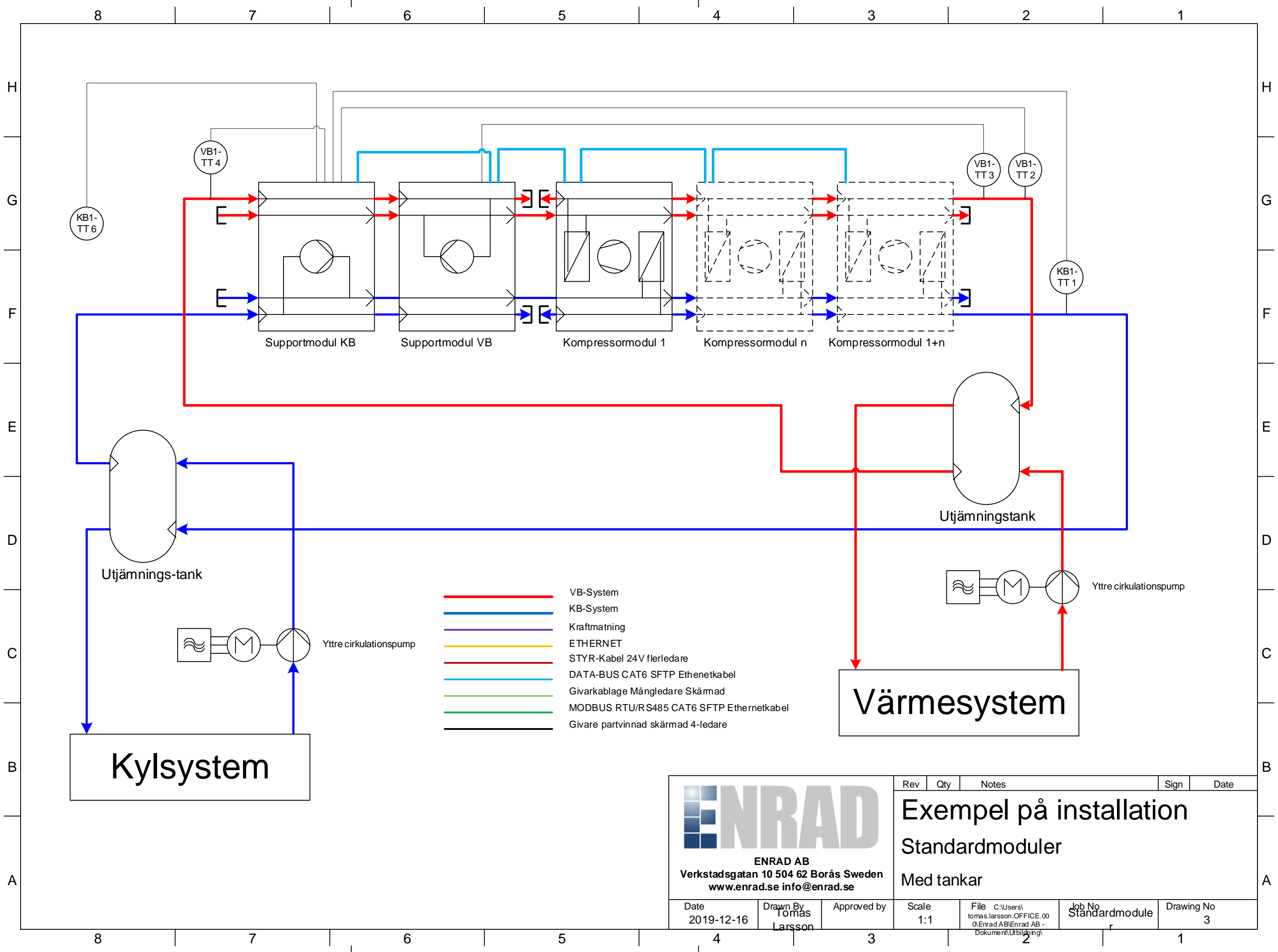


		Rev	Qty	Notes	Sign	Date	
ENRAD AB Verkstadsgatan 10 504 62 Borås Sweden www.enrad.se info@enrad.se		<h2>Exempel på installation</h2> <h3>Standardmoduler</h3> <h3>Enkelt System</h3>					
		Date	Drawn By	Approved by	Scale	File	Job No
2019-12-16	Tomás Larsson		1:1	C:\Users\tomas.larsson\OFFICE.00\0\Enrad AB\Enrad AB - Dokument\Utbyggnad	Standardmodule	1	

© ENRAD AB. This Drawing may not be copied or overhanded without permission from ENRAD AB

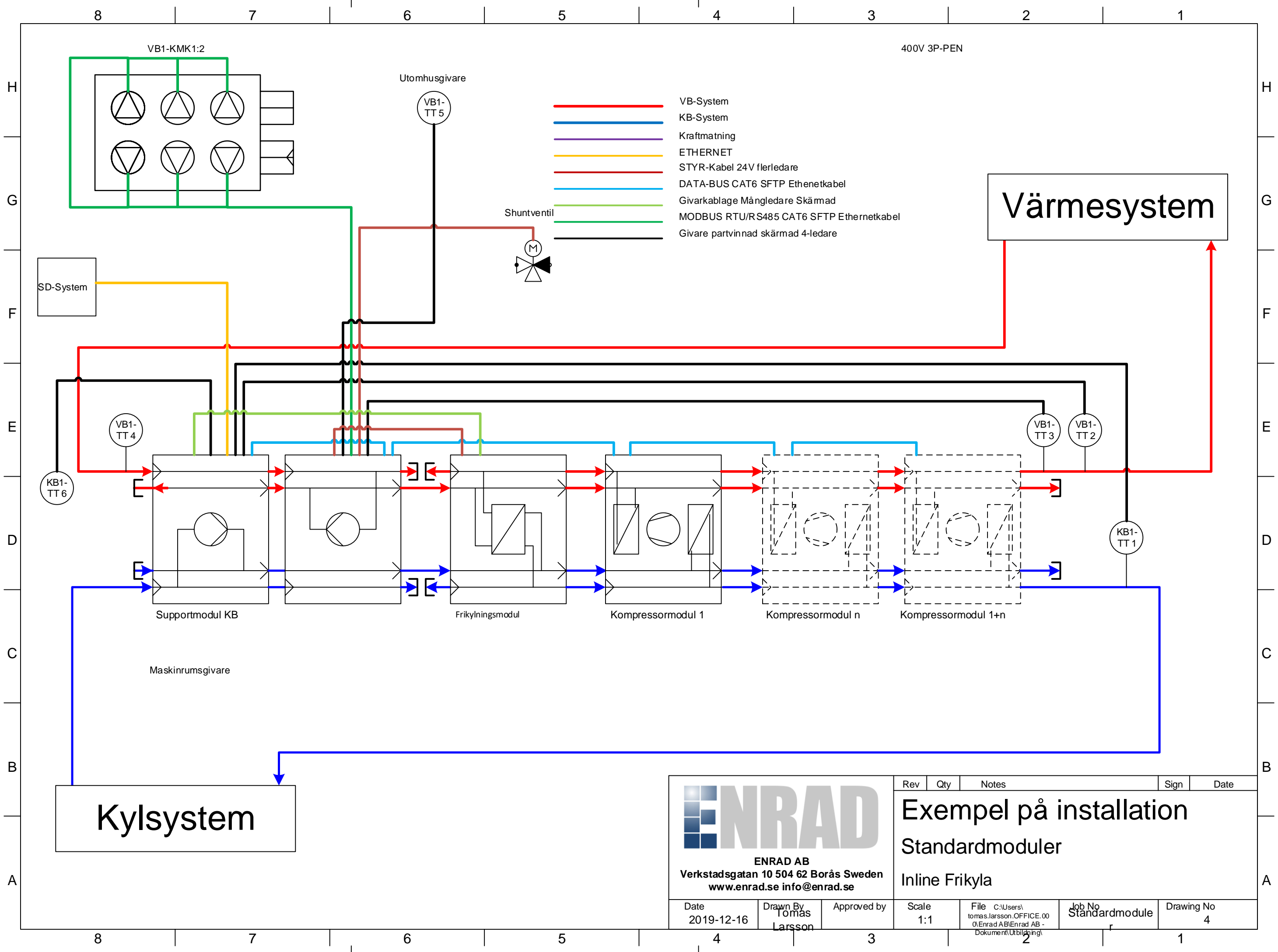


© ENRAD AB. This Drawing may not be copied or overhanded without permission from ENRAD AB



ENRAD		Rev	Qty	Notes	Sign	Date
ENRAD AB Verkstadsgatan 10 504 62 Borås Sweden www.enrad.se info@enrad.se		Exempel på installation Standardmoduler Med tankar				
Date 2019-12-16	Drawn By Tomás Larsson	Approved by	Scale 1:1	File C:\Users\tomas.larsson\OFFICE.00 0:Enrad AB\Enrad AB - Dokument\Utbyggn	Job No Standardmodule	Drawing No 3

© ENRAD AB. This Drawing may not be copied or overhanded without permission from ENRAD AB

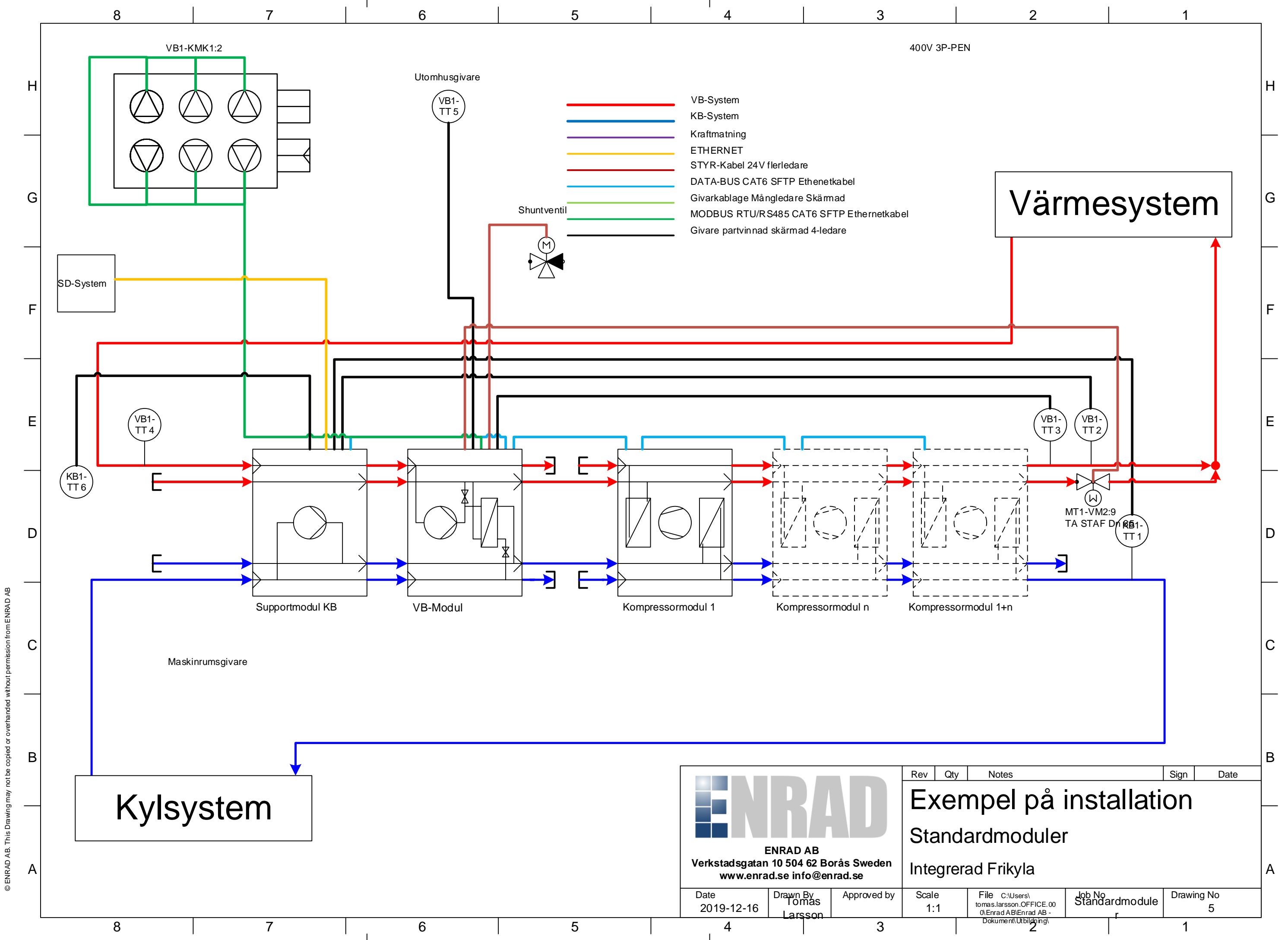


- VB-System
- KB-System
- Kraftmatning
- ETHERNET
- STYR-Kabel 24V flerledare
- DATA-BUS CAT6 SFTP Ethernetkabel
- Givarkablage Mångledare Skämad
- MODBUS RTU/RS485 CAT6 SFTP Ethernetkabel
- Givare partvinnad skärmad 4-ledare

Värmesystem

Kylsystem

 ENRAD AB Verkstadsgatan 10 504 62 Borås Sweden www.enrad.se info@enrad.se	Rev	Qty	Notes	Sign	Date
	<h2 style="margin: 0;">Exempel på installation</h2> <h3 style="margin: 0;">Standardmoduler</h3> <h4 style="margin: 0;">Inline Frikyla</h4>				
	Date 2019-12-16	Drawn By Tomas Larsson	Approved by	Scale 1:1	File C:\Users\tomas.larsson\OFFICE.00 0:\Enrad AB\Enrad AB - Dokument\Utbyggnad



© ENRAD AB. This Drawing may not be copied or overhanded without permission from ENRAD AB

		Rev	Qty	Notes	Sign	Date
ENRAD AB Verkstadsgatan 10 504 62 Borås Sweden www.enrad.se info@enrad.se		Exempel på installation Standardmoduler Integrerad Frikyla				
Date	Drawn By	Approved by	Scale	File	Job No	Drawing No
2019-12-16	Tomás Larsson		1:1	C:\Users\tomas.larsson\OFFICE.00\0\Enrad AB\Enrad AB - Dokument\Utbyggnad	Standardmodule	5