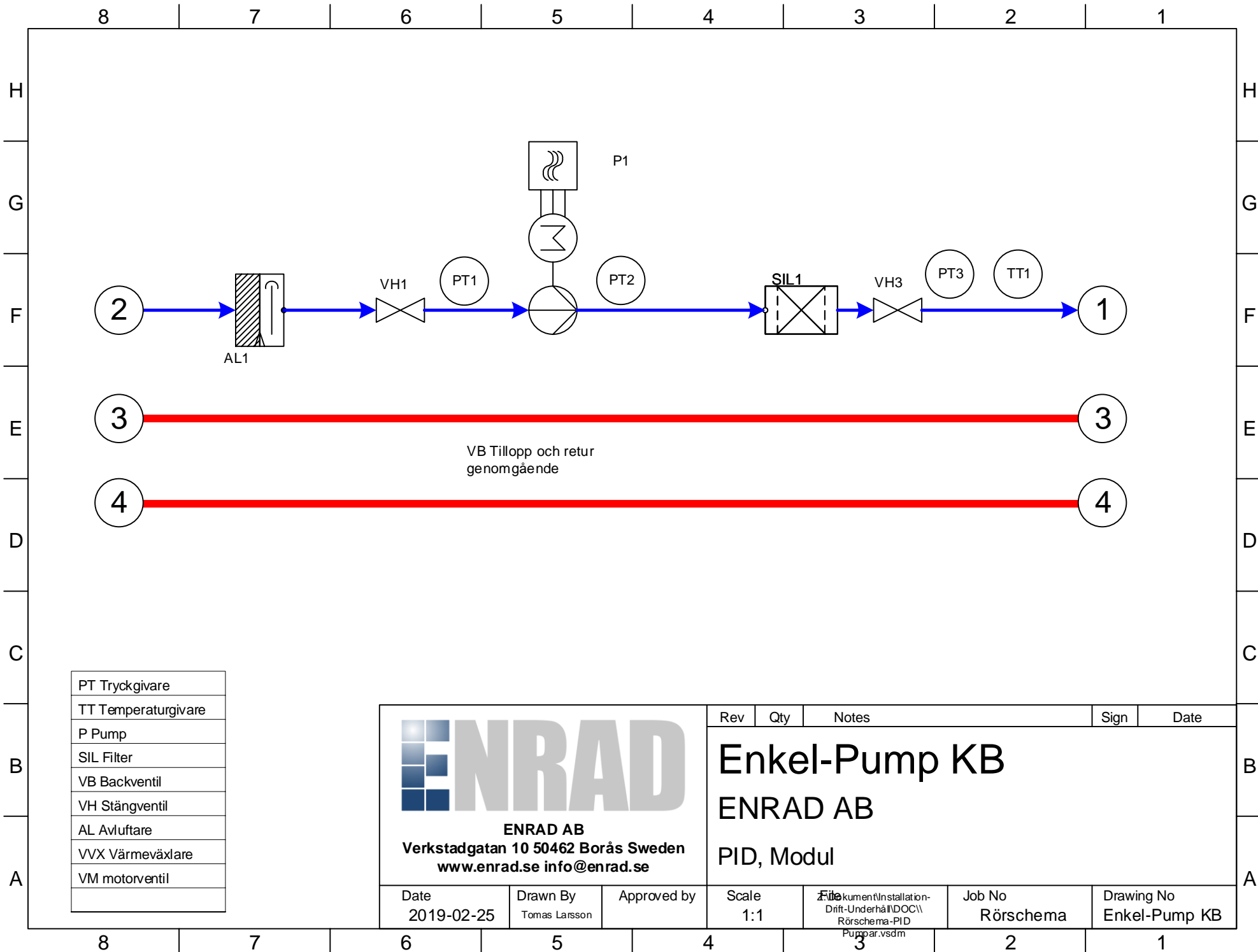



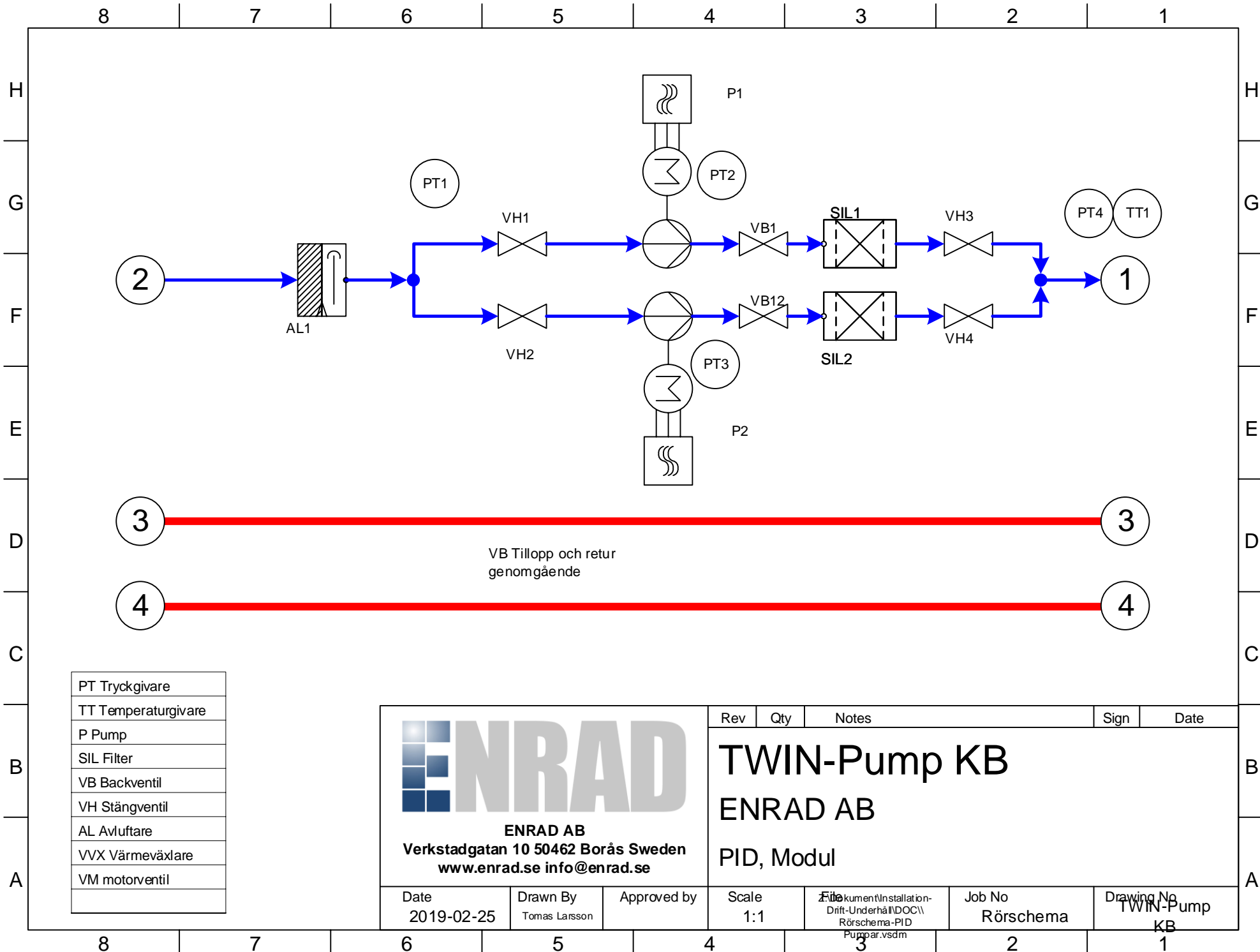
© ENRAD AB. This Drawing may not be copied or overhanded without permission from ENRAD AB



PT Tryckgivare
TT Temperaturgivare
P Pump
SIL Filter
VB Backventil
VH Stängventil
AL Avluftare
VVX Värmeväxlare
VM motorventil

 <p>ENRAD AB Verkstadgatan 10 50462 Borås Sweden www.enrad.se info@enrad.se</p>	Rev	Qty	Notes	Sign	Date	
	<p>Enkel-Pump KB ENRAD AB PID, Modul</p>					
Date	Drawn By	Approved by	Scale	File	Job No	Drawing No
2019-02-25	Tomas Larsson		1:1	Dokument\Installation- Drift-Underhåll\DOC\1 Rörschema-PID Pumpar.vsdm	Rörschema	Enkel-Pump KB

© ENRAD AB. This Drawing may not be copied or overhanded without permission from ENRAD AB



PT Tryckgivare
TT Temperaturgivare
P Pump
SIL Filter
VB Backventil
VH Stängventil
AL Avluftare
VVX Värmeväxlare
VM motorventil

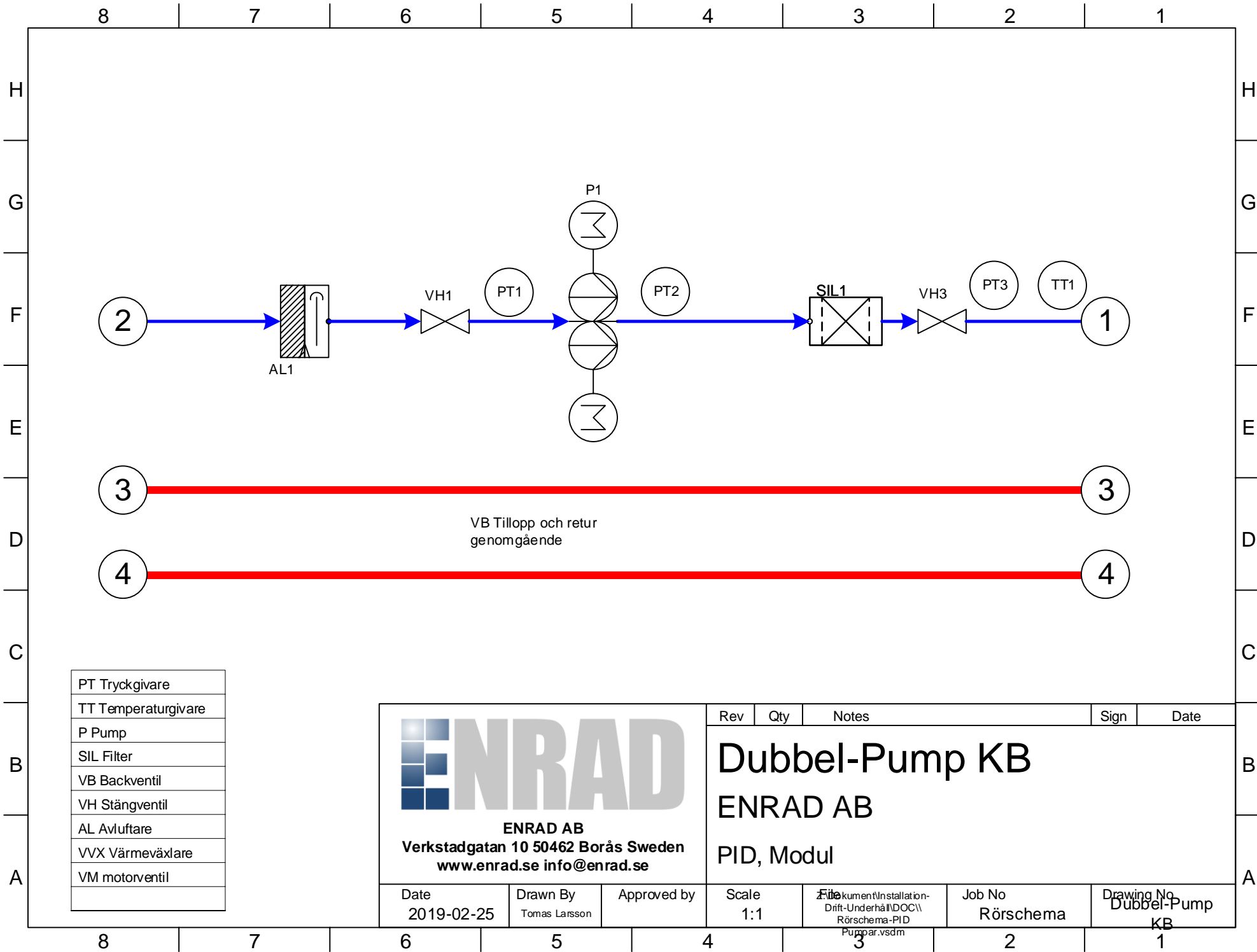


ENRAD AB
 Verkstadgatan 10 50462 Borås Sweden
 www.enrad.se info@enrad.se

Rev	Qty	Notes	Sign	Date
<h2>TWIN-Pump KB</h2> <h3>ENRAD AB</h3> <h4>PID, Modul</h4>				
		Dokument\Installation- Drift-Underhåll\INDOC\ Rörschema-PID Pumpar.vsdm	Job No Rörschema	Drawing No TWIN-Pump KB

Date 2019-02-25	Drawn By Tomas Larsson	Approved by	Scale 1:1
--------------------	---------------------------	-------------	--------------

© ENRAD AB. This Drawing may not be copied or overhanded without permission from ENRAD AB



PT Tryckgivare
TT Temperaturgivare
P Pump
SIL Filter
VB Backventil
VH Stängventil
AL Avluftare
VVX Värmeväxlare
VM motorventil

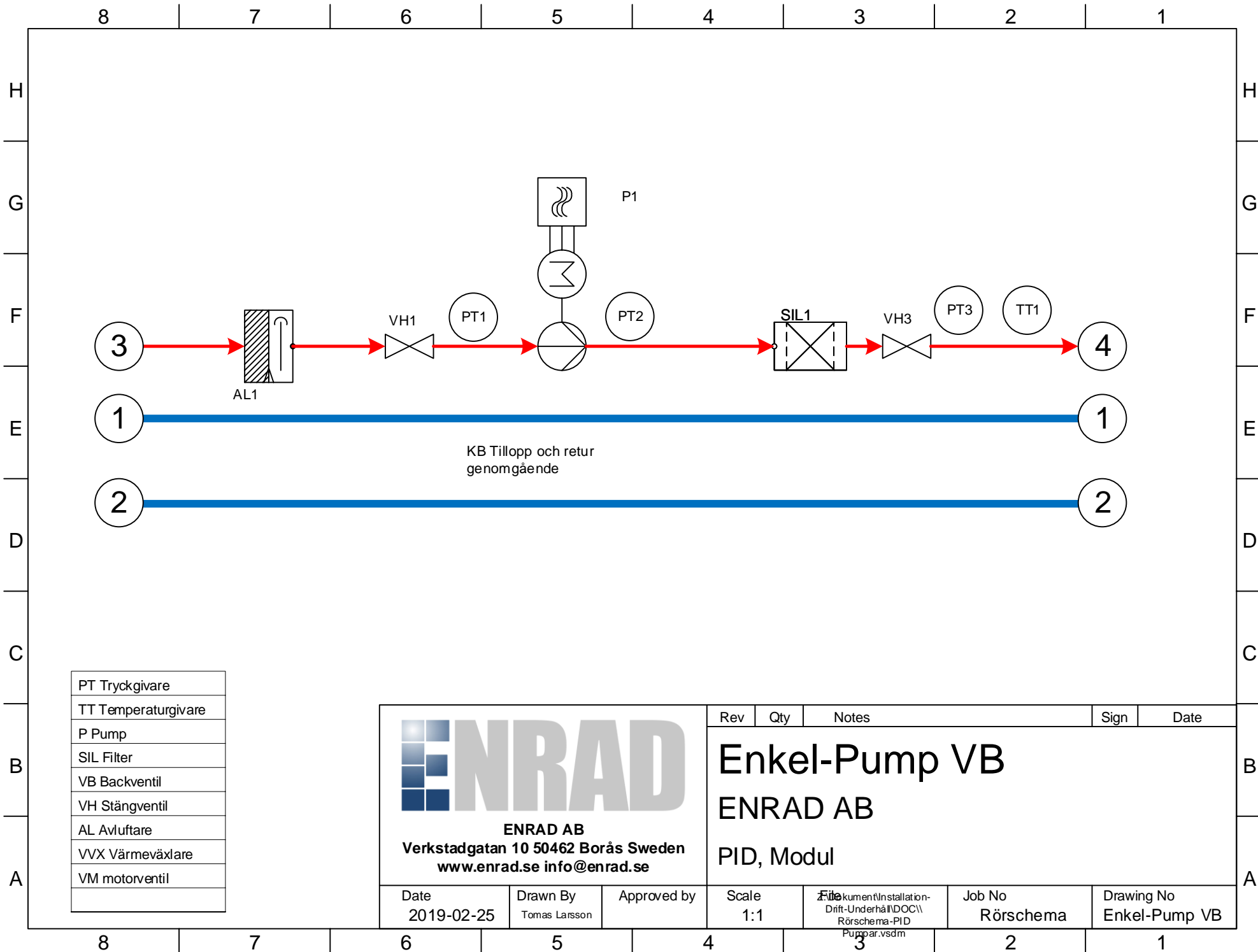


ENRAD AB
 Verkstadgatan 10 50462 Borås Sweden
 www.enrad.se info@enrad.se

Rev	Qty	Notes	Sign	Date
<h2>Dubbel-Pump KB</h2> <h3>ENRAD AB</h3> <h4>PID, Modul</h4>				
		File: Dokument\Installation-Drift-Underhåll\DOC\Rörschema-PID Pumpar.vsdm		
		Job No: Rörschema		Drawing No: Dubbel-Pump KB

Date: 2019-02-25	Drawn By: Tomas Larsson	Approved by:	Scale: 1:1
------------------	-------------------------	--------------	------------

© ENRAD AB. This Drawing may not be copied or overhanded without permission from ENRAD AB



PT Tryckgivare
TT Temperaturgivare
P Pump
SIL Filter
VB Backventil
VH Stängventil
AL Avluftare
VVX Värmeväxlare
VM motorventil

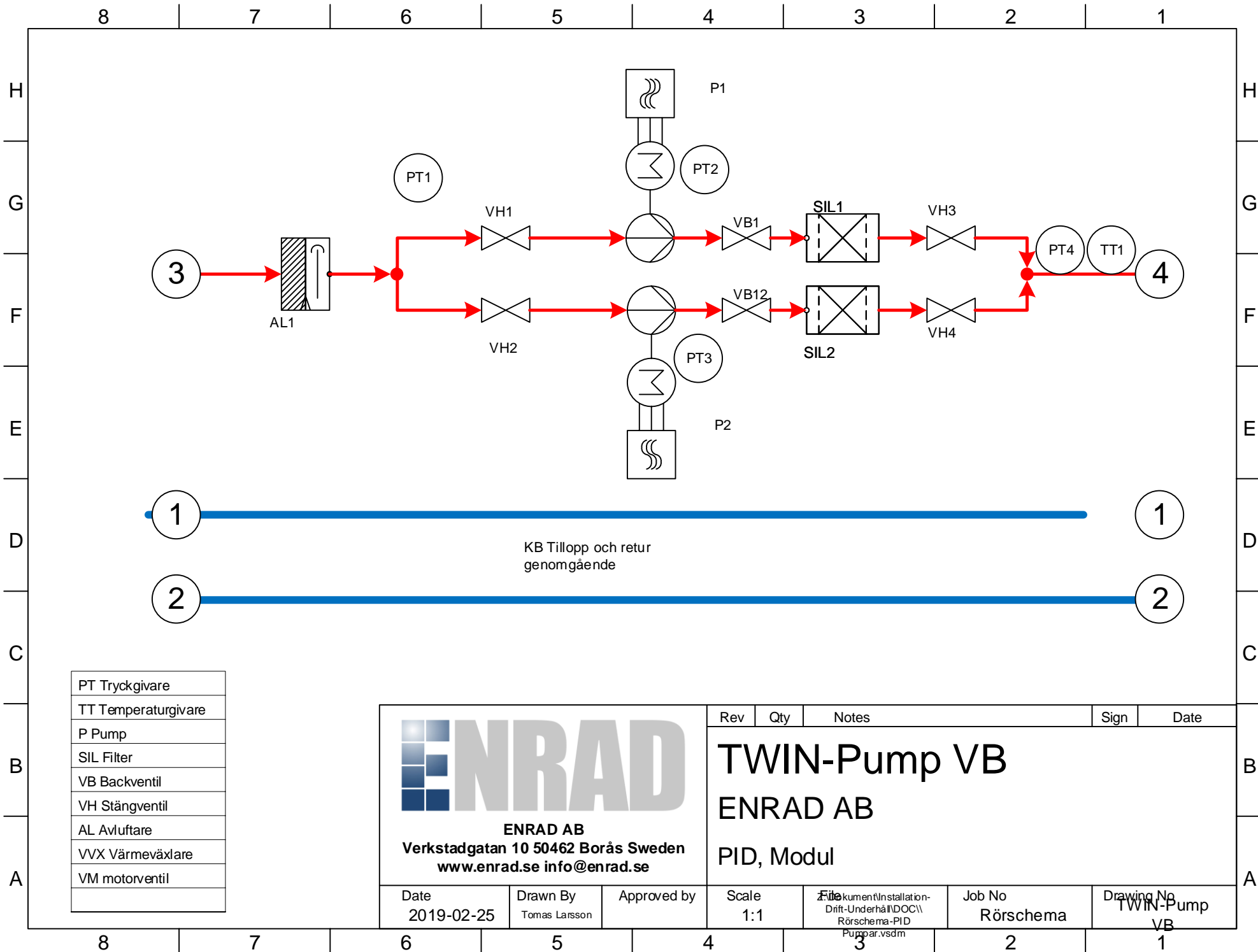


ENRAD AB
 Verkstadgatan 10 50462 Borås Sweden
 www.enrad.se info@enrad.se

Rev	Qty	Notes	Sign	Date
<h1>Enkel-Pump VB</h1> <h2>ENRAD AB</h2> <h3>PID, Modul</h3>				

Date 2019-02-25	Drawn By Tomas Larsson	Approved by	Scale 1:1	File dokument\Installation- Drift-Underhåll\DOC\ Rörschema-PID Pumpar.vsdm	Job No Rörschema	Drawing No Enkel-Pump VB
--------------------	---------------------------	-------------	--------------	--	---------------------	-----------------------------

© ENRAD AB. This Drawing may not be copied or overhanded without permission from ENRAD AB



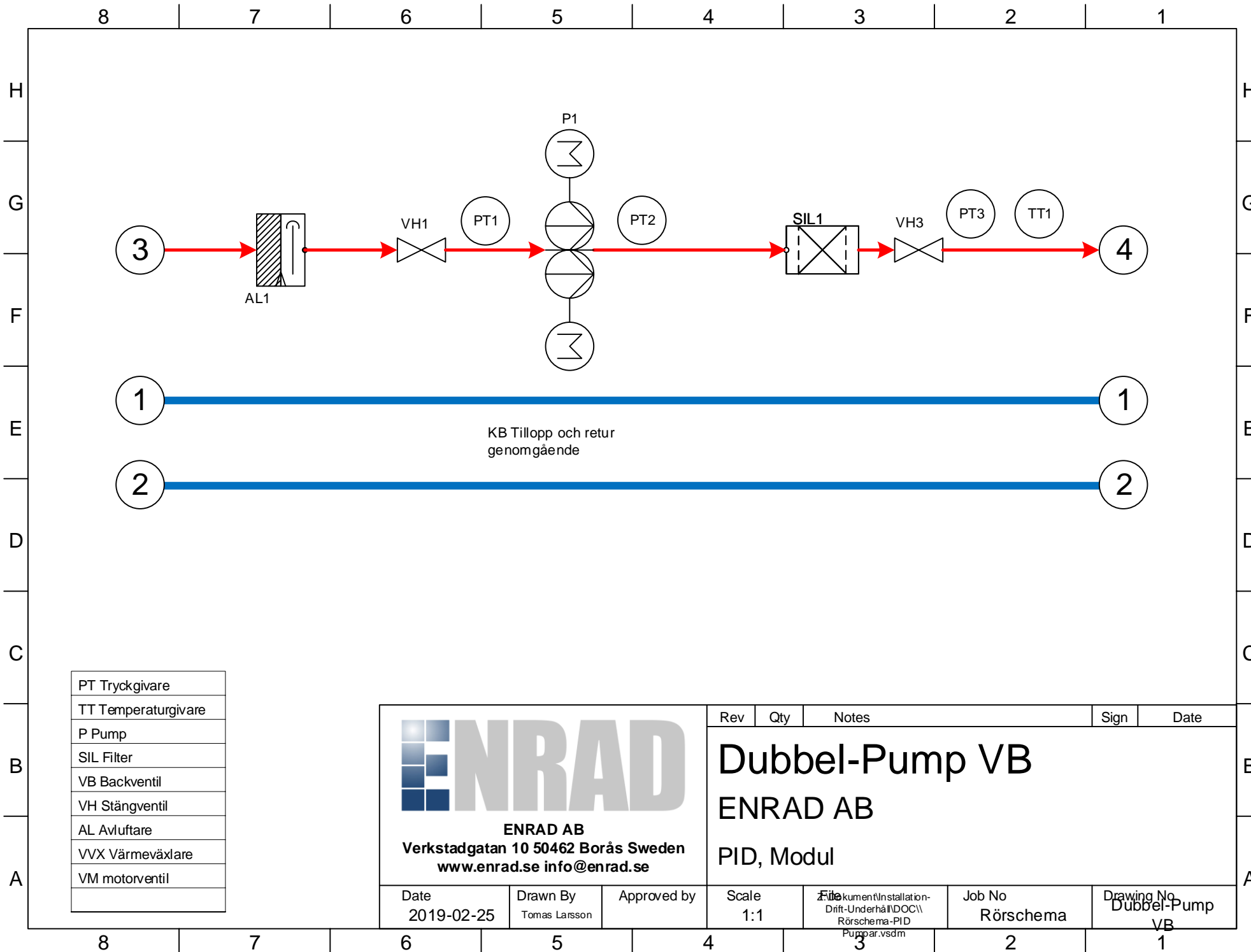
PT Tryckgivare
TT Temperaturgivare
P Pump
SIL Filter
VB Backventil
VH Stängventil
AL Avluftare
VVX Värmeväxlare
VM motorventil



ENRAD AB
 Verkstadgatan 10 50462 Borås Sweden
 www.enrad.se info@enrad.se

Rev	Qty	Notes	Sign	Date
<h2>TWIN-Pump VB</h2> <h3>ENRAD AB</h3> <h4>PID, Modul</h4>				
Date	Drawn By	Approved by	Scale	File
2019-02-25	Tomas Larsson		1:1	kument\Installation-Drift-Underhåll\DOC\Rörschema-PID Pumpar.vsdm
Job No			Drawing No	
Rörschema			TWIN-Pump VB	

© ENRAD AB. This Drawing may not be copied or overhanded without permission from ENRAD AB



PT Tryckgivare
TT Temperaturgivare
P Pump
SIL Filter
VB Backventil
VH Stängventil
AL Avluftare
VVX Värmeväxlare
VM motorventil

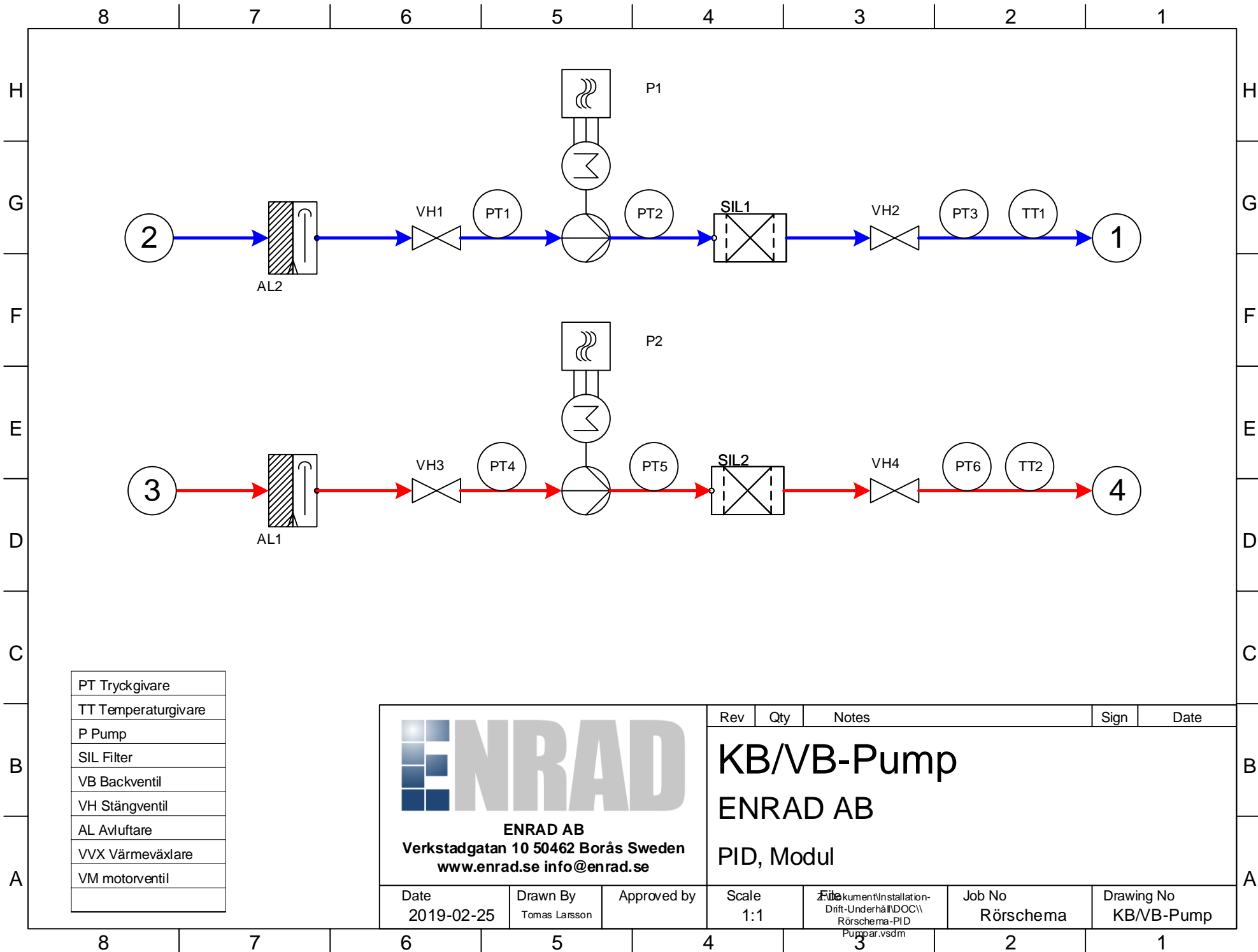


ENRAD AB
 Verkstadgatan 10 50462 Borås Sweden
 www.enrad.se info@enrad.se

Rev	Qty	Notes	Sign	Date
<h2>Dubbel-Pump VB</h2> <h3>ENRAD AB</h3> <h4>PID, Modul</h4>				
		Dokument\Installation- Drift-Underhåll\DOC\1 Rörschema-PID Pumpar.vsdm	Job No Rörschema	Drawing No Dubbel-Pump VB

Date 2019-02-25	Drawn By Tomas Larsson	Approved by	Scale 1:1
--------------------	---------------------------	-------------	--------------

© ENRAD AB. This Drawing may not be copied or overhanded without permission from ENRAD AB



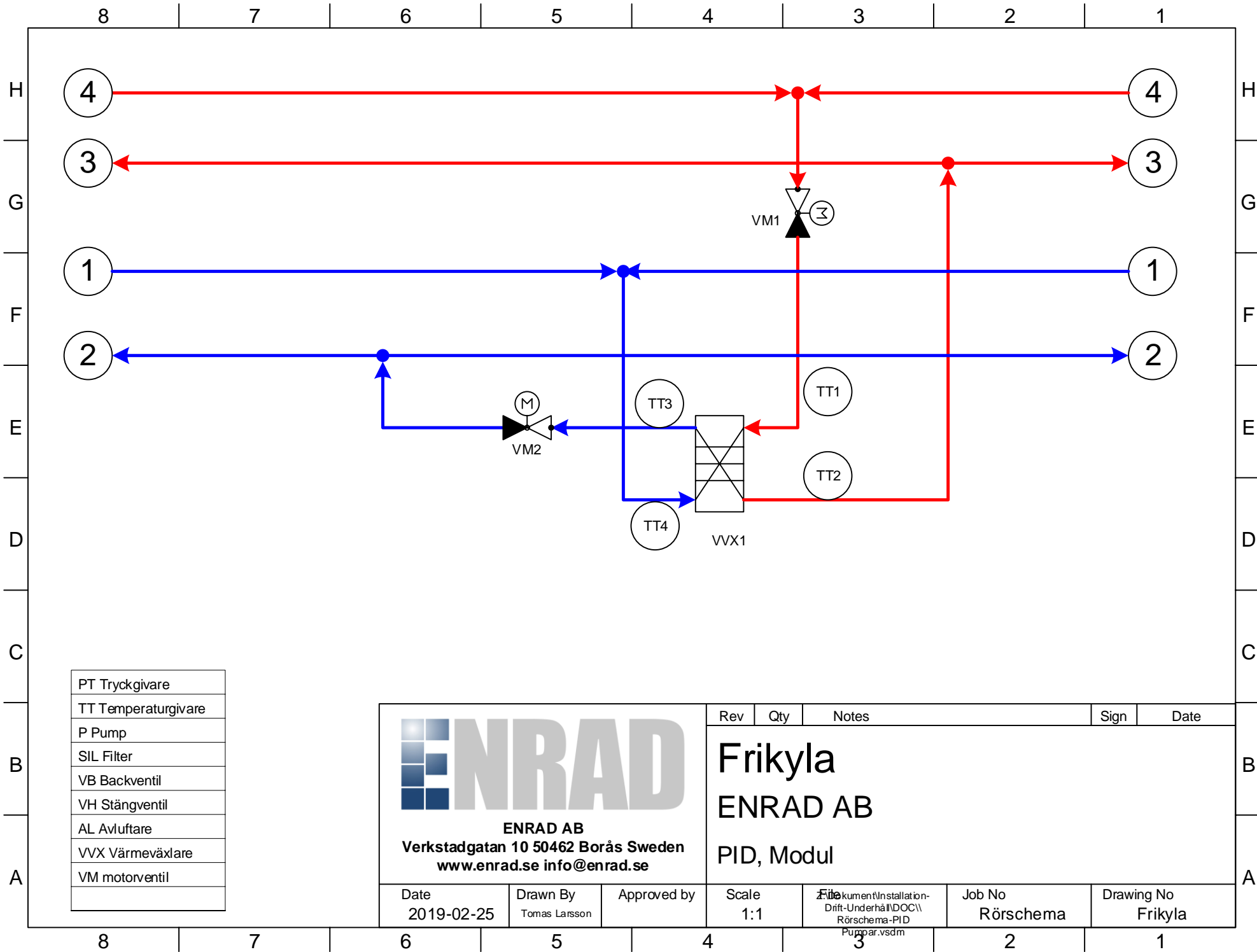
PT Tryckgivare
TT Temperaturgivare
P Pump
SIL Filter
VB Backventil
VH Stängventil
AL Avluftare
VVX Värmeväxlare
VM motorventil

ENRAD AB
 Verkstadgatan 10 50462 Borås Sweden
 www.enrad.se info@enrad.se

Rev	Qty	Notes	Sign	Date
KB/VB-Pump ENRAD AB PID, Modul				

Date 2019-02-25	Drawn By Tomas Larsson	Approved by	Scale 1:1	File C:\dokument\Installation-Drift-Underhåll\DOC\Rörschema-PID Pumpar.vsdm	Job No Rörschema	Drawing No KB/VB-Pump
--------------------	---------------------------	-------------	--------------	--	---------------------	--------------------------

© ENRAD AB. This Drawing may not be copied or overhanded without permission from ENRAD AB



PT Tryckgivare
TT Temperaturgivare
P Pump
SIL Filter
VB Backventil
VH Stängventil
AL Avluftare
VVX Värmeväxlare
VM motorventil



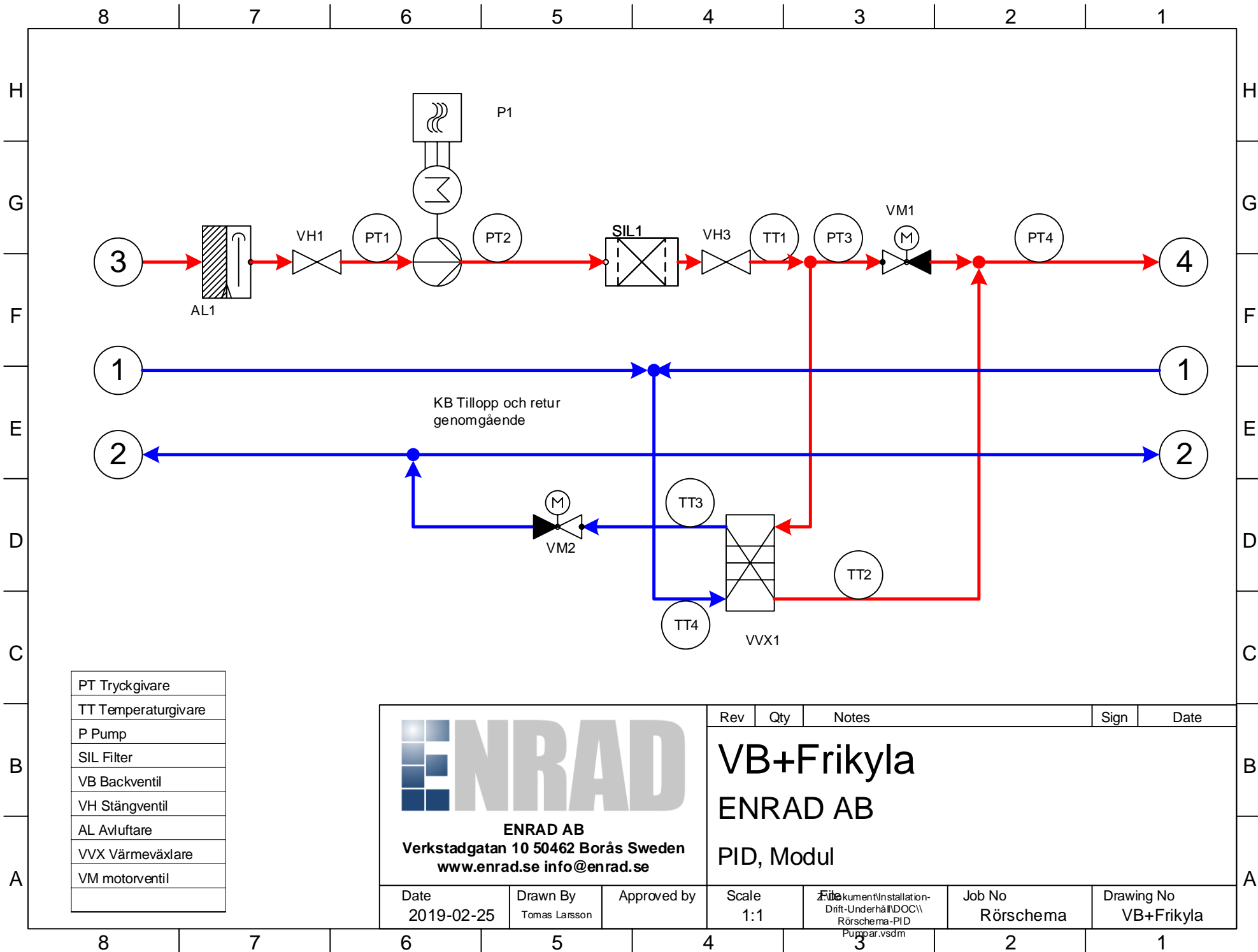
ENRAD AB
 Verkstadgatan 10 50462 Borås Sweden
 www.enrad.se info@enrad.se

Rev	Qty	Notes	Sign	Date
-----	-----	-------	------	------

Frikyla
 ENRAD AB
 PID, Modul

Date 2019-02-25	Drawn By Tomas Larsson	Approved by	Scale 1:1	File dokument\Installation- Drift-Underhåll\INDOC\ Rörschema-PID Pumpar.vsdm	Job No Rörschema	Drawing No Frikyla
--------------------	---------------------------	-------------	--------------	--	---------------------	-----------------------

© ENRAD AB. This Drawing may not be copied or overhanded without permission from ENRAD AB



PT Tryckgivare
TT Temperaturgivare
P Pump
SIL Filter
VB Backventil
VH Stängventil
AL Avluftare
VVX Värmeväxlare
VM motorventil

ENRAD
ENRAD AB
 Verkstadgatan 10 50462 Borås Sweden
 www.enrad.se info@enrad.se

Rev	Qty	Notes	Sign	Date
VB+Frikyla ENRAD AB PID, Modul				

Date 2019-02-25	Drawn By Tomas Larsson	Approved by	Scale 1:1	File dokument\Installation- Drift-Underhåll\INDOC\ Rörschema-PID Pumpar.vsdm	Job No Rörschema	Drawing No VB+Frikyla
--------------------	---------------------------	-------------	--------------	--	---------------------	--------------------------