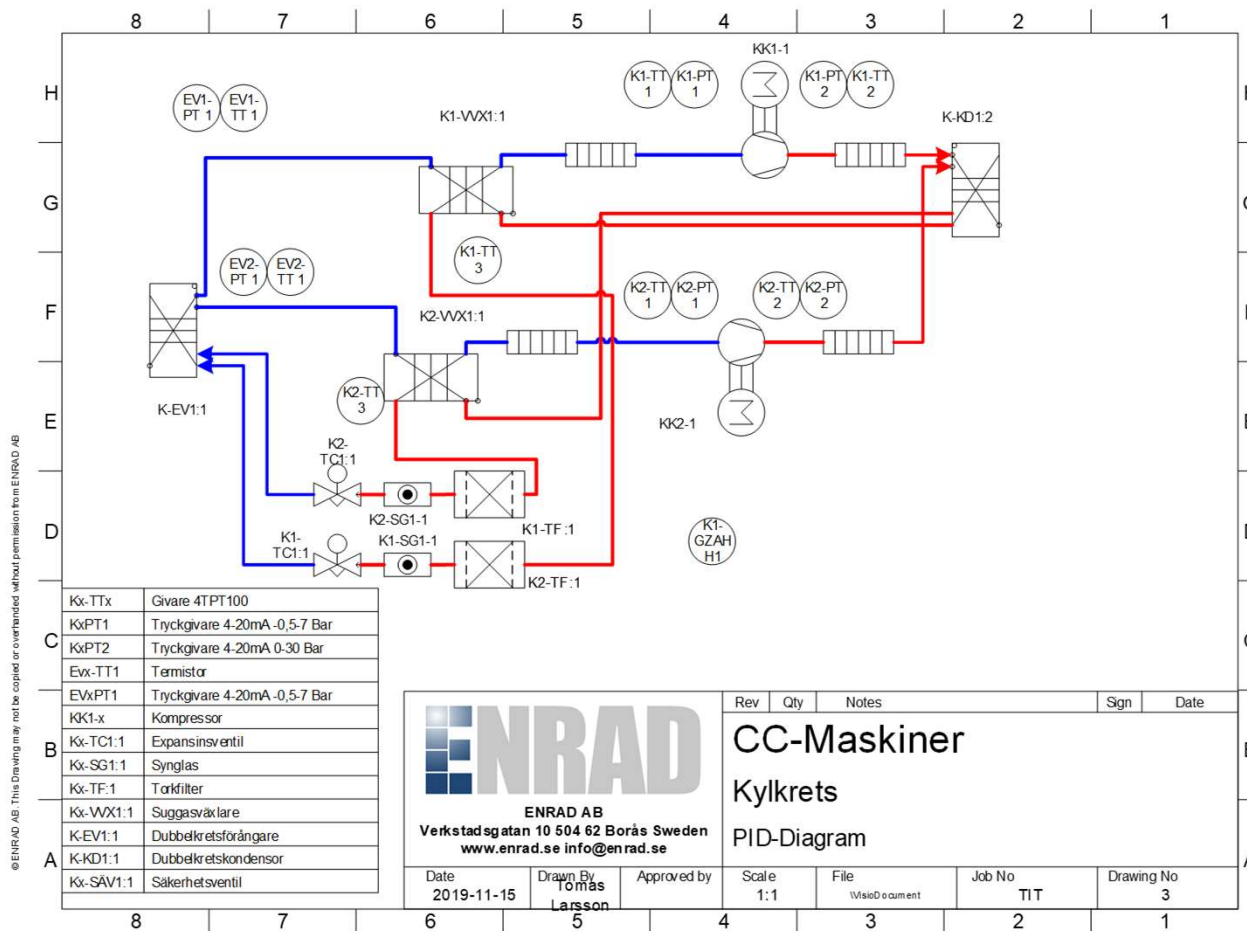
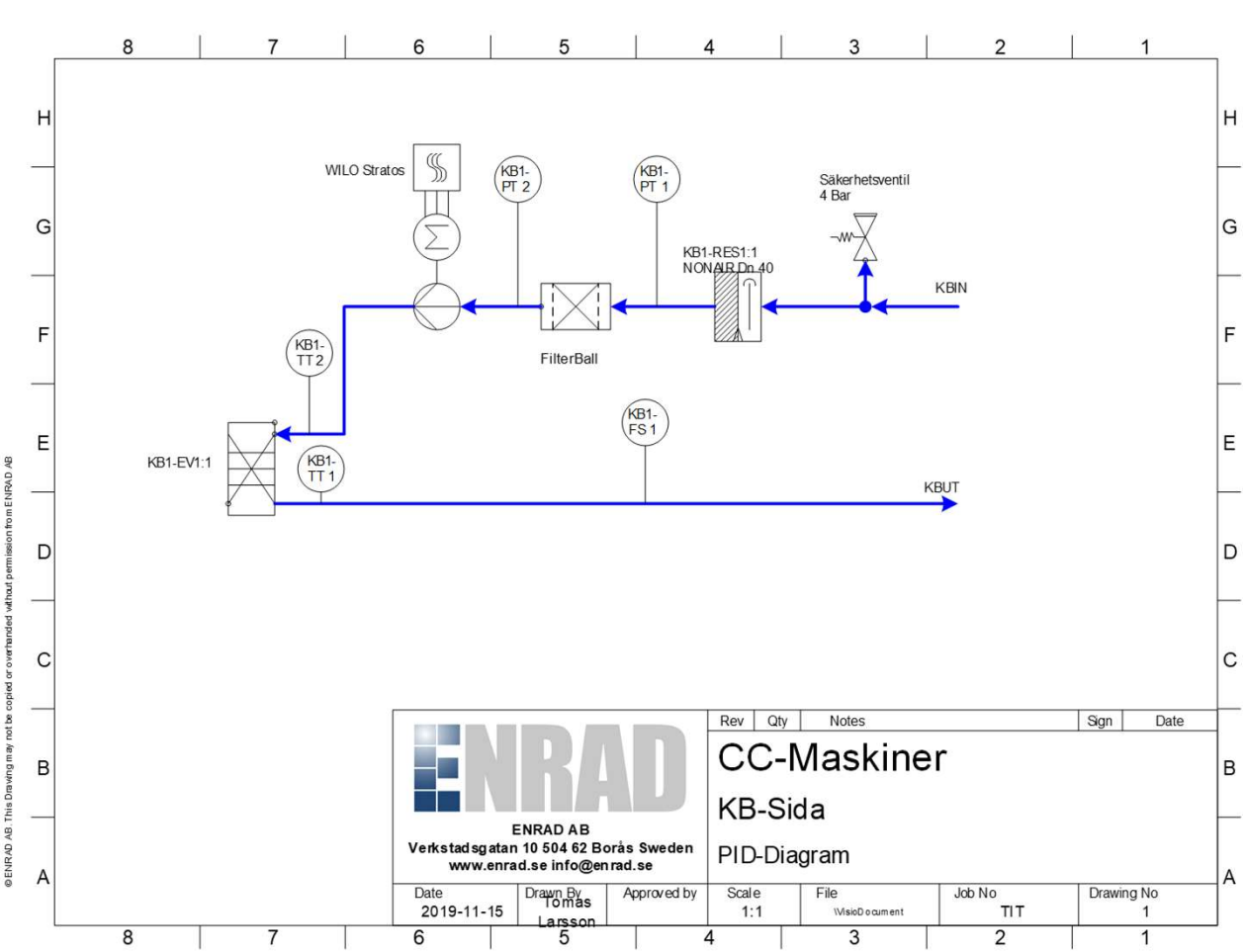


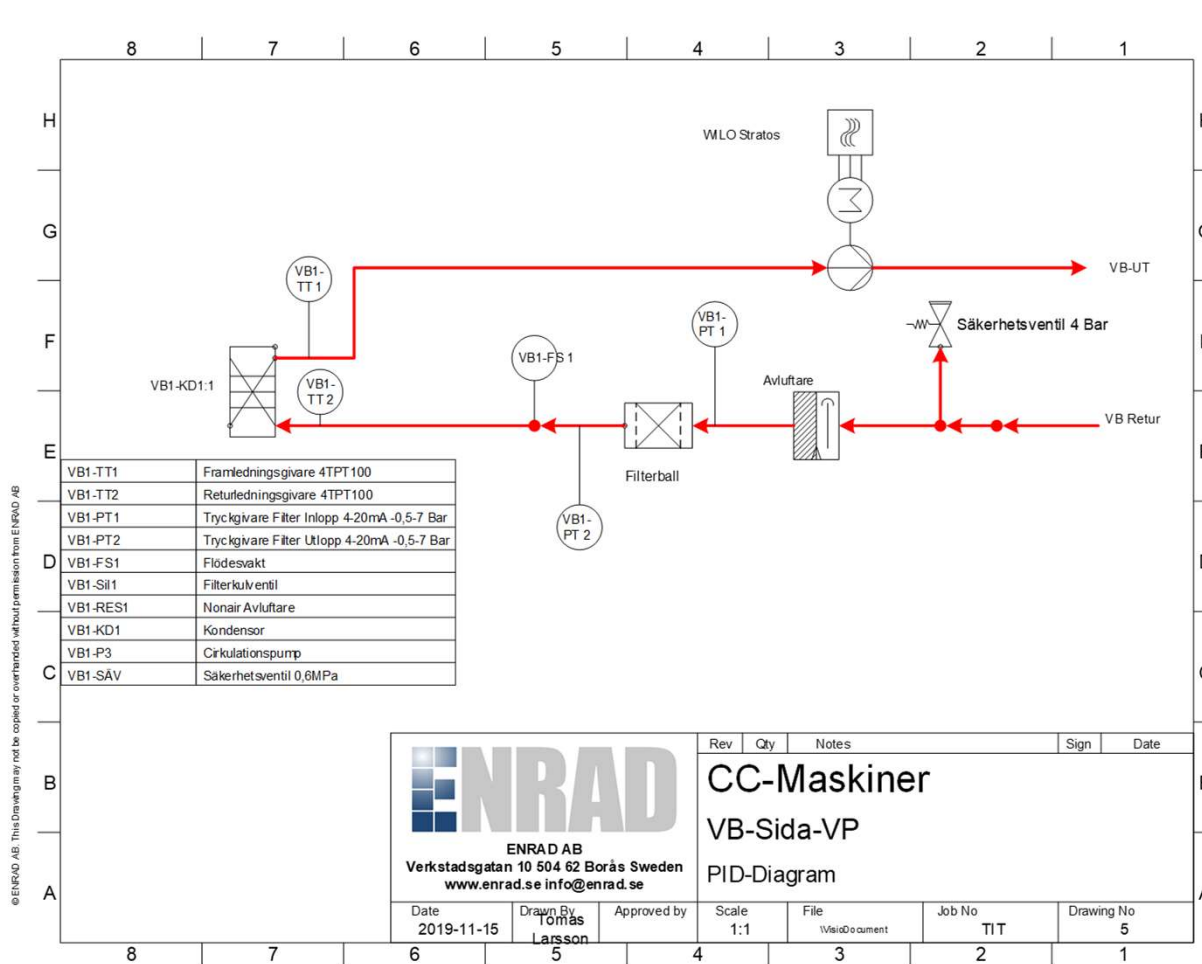
# Princip schema Kylsystem



# Princip schema KB-Sidan

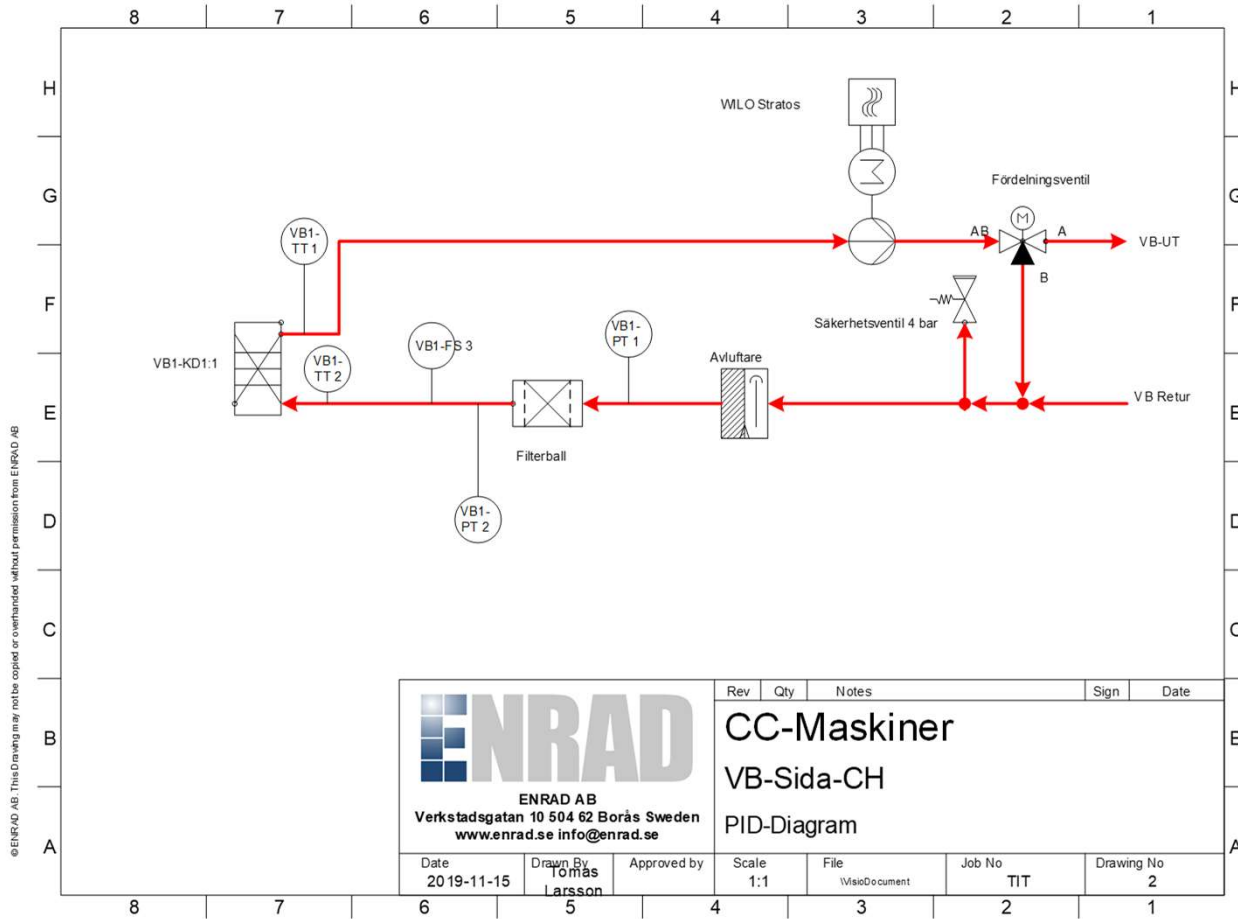


# Princip schema VB-Sidan Värmepump



©ENRAD AB. This Drawing may not be copied or overhanded without permission from ENRAD AB

# Princip schema VB-Sidan Kylmaskin



©ENRAD AB. This drawing may not be copied or overhanded without permission from ENRAD AB